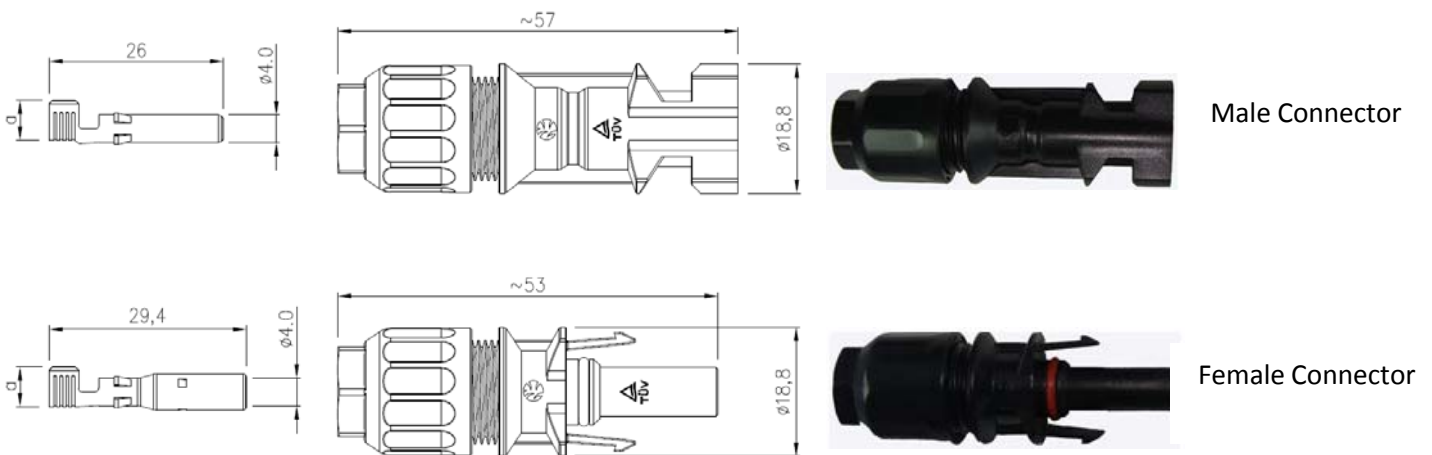


Product Specifications			
Insulation material	PPE	Safety degree	II
Rated current	30A	Flame class	UL94-V0
Rated voltage	1000V (IEC)/600V (UL)	Insertion force/Withdrawal force	≤50N / ≥50N
Test voltage	6kV(50Hz, Imin)	Ambient temperature range	-40°C...+90°C(IEC)
Typical contact resistance	<0.5 mΩ	Suitable cable cross sections	1.5~6mm <sup>2</sup> /16~10AWG
Contact material	Copper, Tin plated	Connecting system	Crimp connection
Degree of protection	IP2X/IP67	Nut cap locking force	2.0~2.5Nm
Overvoltage category/Pollution degree	CATIII/2	Upper limiting temperature	110°C(IEC)

## Drawing:



4.0 Cable Female Connector			4.0 Cable Male Connector		
Part No.	a	Cable Size	Part No.	a	Cable Size
4C2500-001	4.2	1.5/2.5mm <sup>2</sup> / 16/14AWG	4C2501-001	4.2	1.5/2.5mm <sup>2</sup> / 16/14AWG
4C4000-001	5.8	4.0/6.0mm <sup>2</sup> &10/12AWG	4C4001-001	5.8	4.0/6.0mm <sup>2</sup> &10/12AWG